

8x1 HDMI Switch

HSW0801A10

The 8 ports HDMI switch HSW0801A10, allows up to 8 Ultra HD sources to be routed to one Ultra HD display. Support resolutions up to 4K (3840 x 2160 @ 30Hz). Deep Color, 3DTV pass-through, and lossless audio formats such as LPCM 7.1, Dolby TrueHD, and DTS-HD Master Audio are also supported. Support automatic input source detection, when attach new input device to the switch, the switch will switch to last plugged in source automatically. With EDID emulators in every input ports, keep PCs always have correct display information, prevent display settings changed while switching input ports.

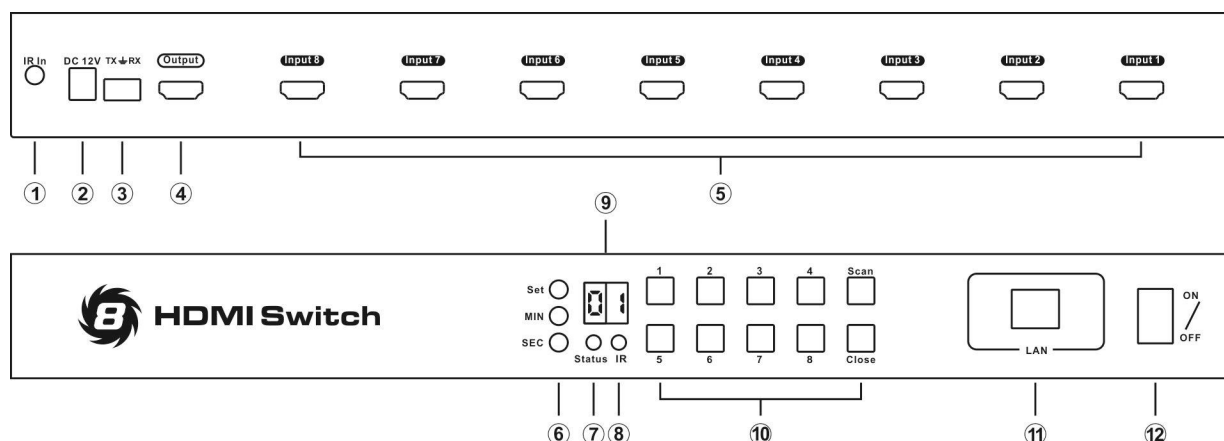
Features

- With EDID emulators in each input port, keep PCs always having correct display information
- Support hot plug, connect or disconnect devices to the HDMI switch at any time without turning off devices
- Support auto switching to monitor computers in a specified time interval
- Support front panel buttons, IR signals, RS232 serial commands or IP commands to control HDMI switch
- Support resolution up to 3840*2160@30Hz
- Auto input detect and switch
- Supports DVI-D single link sources and displays with the use of HDMI-to-DVI adapters

Packing list

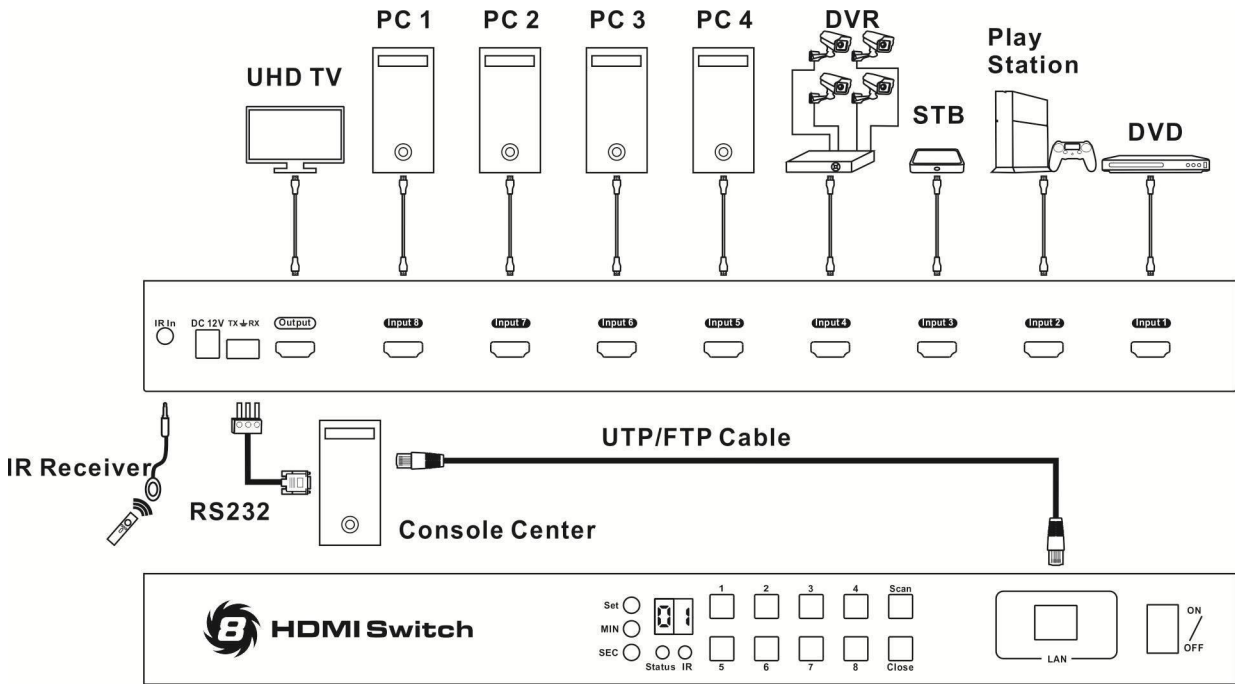
- 1 * 8x1 HDMI Switch
- 1 * DC 12V 2A Power Adapter
- 1 * IR Remote Control
- 1 * IR Receiver Cable
- 1 * 3 Pins Connector(For RS232)
- 2 * Rack-ears
- 1 * Quick-Start Guide

Panel descriptions



1. IR receiver extension cable input
2. DC 12V Power Adapter
3. 3 Pins jack for RS232 console
4. HDMI output port
5. HDMI input ports
6. Auto scan time interval settings
 [MIN]: Press button [MIN] to loop between 0~59 minutes.
 [SEC]: Press button [SEC] to loop between 0~59 seconds.
 [Set]: After setting minutes and seconds by buttons [MIN] and [SEC], press button [Set] to enter final scan time interval setting.
7. Status indicator:
 Green LED: Turn off auto scanning mode
 Red LED: Turn on auto scanning mode
8. IR receiver
9. LED display: display current selected input source
10. Keypad:
 [1~8]: Press these buttons to directly select input 1~8 sources.
 [Close]: Press this button directly will turn on or turn off the display out
 [Scan]: Press this button to start or stop automatically scan between input 1 to input 8. The interval time can be set by buttons [Set], [MIN], [SEC] as described above.
11. LAN: TCP/IP console interface
12. Power switch: Turn on or off the power.

Connection diagram



Specification

HSW0801A10	8x1 HDMI Switch	
Functionality:		
Auto Scan	Yes	
Port selection	Front panel buttons	Yes
	Keyboard hotkeys	No
	IR remote control	Yes
	Console commands	RS232 / IP
Technical:		
Max. Resolution	3840x2160@30Hz	
Auto to get EDID	Yes	
Data rate	10.2 Gbps	
Auto scan interval	5~3600 Seconds	
Beep Sound	On/Off	
OSD	No	
Console ports	RS232	1 * 3 Pins jack
	LAN (TCP/IP)	1 * RJ45
	IR extension input	1 * AUX
Input	8 * HDMI Type A	
Output	1 * HDMI Type A	
ESD protection	Human body model - $\pm 8kV$ (Air-gap discharge)	
Mechanical:		
Chasing material	Metal	
Product	Dimension	440 (L) x 150 (W) x 44.5 (H) mm
	Weight	1668g
Item	Dimension	488 (L) x 123 (W) x 186 (H) mm
	Weight	2188g
Carton	Dimension	505 (L) x 280 (W) x 395 (H) mm
	Quantity	4pcs
	Total Weight	9.502kg