

**Optical Light Source**

**User Manual**

---

**V1.0**

# CONTENTS

1. Model Introductions .....	1
2. Features.....	1
3. Specifications .....	2
4. Layout .....	3
5. Function Keys .....	4
6. Operation .....	5
6.1 Turn on/off .....	5
6.2 Laser output .....	5
6.3 Replace the battery .....	5
7. Maintenance .....	6
8. Trouble-Shootings .....	7

## **1. Model Introductions**

**Wavelength: 1310nm/1550nm**

**Output power:  $\geq$ -7dBm**

Other wavelength and output power could be provided on request.

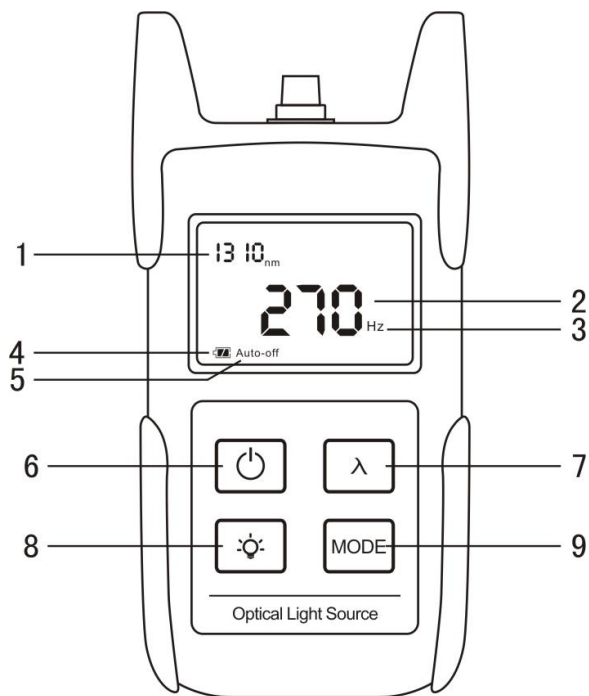
## **2. Features**

- ✧ Provide Single to tri-wavelength with high stability
- ✧ Continuous wave and Frequency-wave:  
CW/270Hz/1000Hz/2000Hz.
- ✧ Real-time monitoring and display the battery level as well as lower power warning.
- ✧ LCD Back light display.
- ✧ Set the auto power off function.
- ✧ Alkaline battery (AAA batteries which convenient during operation).

### 3. Specifications

Model	Optical Light Source
Emitter	FP-LD
wavelength (nm)	850/1300nm , 1310/1550nm ( Other wavelength can be offered on request )
Connector	FC ( SC/ST as optional )
Output power	$\geq -15\text{dBm}@850/1300\text{nm}$ $\geq -7\text{dBm}@1310/1550\text{nm}$
Output stability(dBm)	$\pm 0.04@20^{\circ}\text{C} @15\text{min}$
Modulation	CW/270Hz/1KHz/2KHz@others
Power	3pcs AAA batteries
Fiber type	SM、MM
Working hours(h)	40
Working temperature( $^{\circ}\text{C}$ )	$-10\sim +50$ , 0 to 95%RH (no condensing)
Storage temperature( $^{\circ}\text{C}$ )	$-20\sim +70$ , 0 to 95%RH (no condensing)
Dimension(mm)	130×63×29
Weight (g)	160

## 4. Layout



### LCD Display Introduction

- 1. Wavelength:** The current output wavelength.
- 2. Output mode:** Display the current working mode of the output light it includes the **CW**(continuous wave) and Frequency-wave (270Hz,1000Hz, 2000Hz) output

- 3. **Hz:** Frequency unit.
- 4. **Battery level:** Indicate the current battery level. When the icon is blank, it means the power is too low, please change the batteries.
- 5. **Auto-off:** After turn on the meter, press **ON/OFF** to activate/deactivate the 10-minute auto-off function.
- 6. **ON/OFF:** Turn on or off the power meter.
- 7.  **$\lambda$ :** Switch the wavelength.
- 8. **Backlight:** Turn on or off the backlight.
- 9. **MODE:** Choose the current wave output frequency.

## 5. Function Keys

- 1) **ON/OFF** : Press ON/OFF to turn on the unit. Press it for 3 seconds to turn it off. In power on mode, press **ON/OFF** shortly to activate /inactivate the 10-minute auto off function and the power icon will show on the bottom of the screen. Press it again to cancel the auto off function and the power icon will disappear.
- 2) **MODE** : Press to choose the laser output mode.
- 3)  **$\lambda$**  : Press  **$\lambda$**  to switch the wavelength, and the selected wavelength will displays in the LCD.
- 4) **Backlight** : Backlight is on when turning on the unit. It will turn off one minute later. Operators can

press any key to make backlit for another one minute.

## **6. Operation**

### **6.1 Turn on/off**

- ✧ Press **ON/OFF** shortly to turn on the unit. Press **ON/OFF** for a few seconds to turn it off and press this key slightly to activate or deactivate the auto-off function.

### **6.2 Laser output**

- ✧ Insert the pigtail properly and turn on the meter
- ✧ Choose the wavelength via **λ** key.
- ✧ Press **MODE** to choose the frequency of light output.
- ✧ After above steps, the light source will output the desired laser.

### **6.3 Replace the battery**

- ✧ If the battery level is very low, please turn off the unit immediately and replace the batteries.
- ✧ Take out the batteries if not in use for a long period of time (like one month).
- ✧ **NOTE:** Do not charge the non-rechargeable battery, dangerous!

## **7. Maintenance**

- 1) Keep all sensor surfaces free from oil, dirt or other contamination to ensure proper operation.
- 2) Don't use the non-standard adapters.
- 3) Don't insert poor polished surface.
- 4) Please cover the dust cap when the meter is not in use.
- 5) Keep the surface clean.
- 6) Carefully plug in or out the adapter.
- 7) Regularly clean the sensor surfaces.
- 8) Take out the batteries when not in use for a period of time (like one month).

## 8. Trouble-Shootings

Problem	Reason	Solution
Faint LCD screen	Lower power	Replace the battery
No backlight	Lower power	Replace the battery
No display when turning on	Lower power/other	Turn on again or replace battery
Fail to turn on	Lower power	Replace the battery
No changing on LCD screen	Lower power	Replace e the battery
No laser power or low laser power	Dirty or polluted connector	Use the correct connector and clean it

## Warranty Period:

12 months from the purchasing date.

## Warranty Clause:

1. Under the warranty, we would repair the problems caused under the normal operation free of charge.

Note: remember to show us the warranty card when repair

2. For the following situation, we have to charge certain cost:

- 1) Out of the warranty.
- 2) Fail to provide the warranty card.
- 3) Alter and omit the warranty card.
- 4) Wrong operation including the problem caused by human actors, abnormal working environment and so on..
- 5) Problems or damages are not caused by the products quality.
- 6) Operation not according to the manual.

3. For the following situation, we do not repair it.

- 1) Damaged seal label.
- 2) Take apart it without permission.
- 3) Products from other manufacture.

## Quick operation

1. Press **ON/OFF** shortly to turn on the unit. Press it for a few seconds to turn it off. Click it to activate or deactivate the auto-off function.
2. Press  **$\lambda$**  key to switch the wavelength.
3. Press **MODE** to enter the Frequency Modulation mode.
4. If the battery power is low, please replace it on time.
5. Take out the battery if not in use for a period of time.

*Please refer to the back label for more details*

