

**USB3.0 IP Conference Meeting Camera PTZ Onvif 10X Auto Zoom Surveillance  
High definition 2MP 1920x1080P 60Fps Real time Security**



**Introduction:**

Full HD, Wide View Angle, Multi-protocols, Multiple Video Interfaces

This series camera offers perfect functions, superior performance and rich interfaces. The features include advanced ISP processing algorithms to provide vivid images with a strong sense of depth, high resolution, and fantastic color rendition. It supports H.264/H.265 encoding which makes motion video fluent and clear even under less than ideal bandwidth conditions.

**Main Features:**

- It employs 1/2.8 inch high quality CMOS sensor. Resolution is up to 1920x1080, Multiple lens 10x Zoom
- support USB3.0, IP LAN interface.

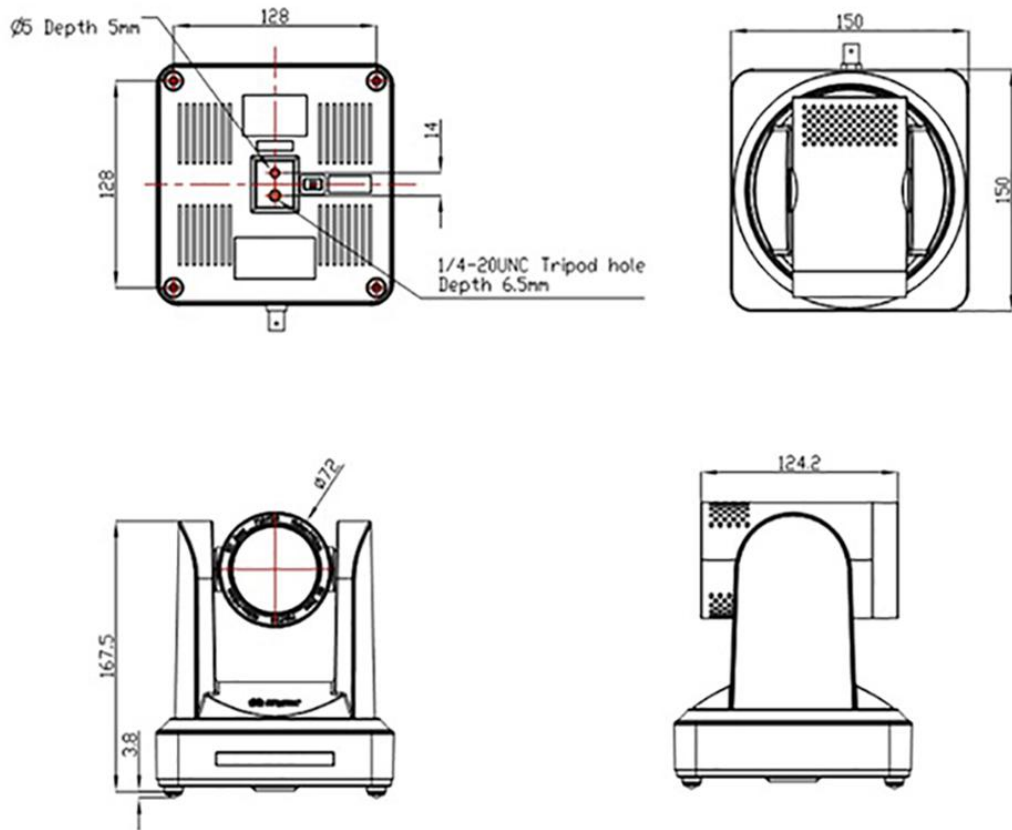
- Leading auto focus algorithm makes lens a fast, accurate and stable auto-focusing.
- Low noise CMOS effectively ensure high SNR of camera video. Advanced 2D/3D noise reduction technology is also used to further reduce the noise, while ensuring image sharpness.
- Support 16000, 32000, 44100, 48000 sampling frequency and support AAC, MP3, PCM audio coding.
- By adopting step driving motor mechanism, camera works extremely quiet and moves smoothly.
- Support H.264/H.265 video compression
- Support AAC, MP3 and PCM audio compression; Support compression of resolution up to 1920x1080 with frame up to 60 fps and 2 channels 1920x1080 with 30 fps compression.
- Support ONVIF, RTSP, RTMP protocols and RTMP push mode, easy to link streaming media server (Wowza, FMS)
- Tele-education, Lecture Capture, Webcasting, Video conferencing, Tele-training, Tele-medicine, Interrogation and Emergency Command Systems.
- Support low-power sleep/wake up, the consumption is lower than 400mW under sleep mode.

### Technical Parameter:

Model number	FLA-HD510U3
<b>Camera Parameter</b>	
Optical Zoom	10X f=4.7~47mm
Sensor	1/2.8 inch high quality HD CMOS sensor
Effective Pixels	16: 9, 2.07 megapixel
Video Format	1080P60/50/30/25/59.94/29.97; 1080i60/50/59.94; 720P60/50/30/25/59.94/29.97
View Angle	6.43°(tele)--60.9°(wide)
Aperture	F1.6--F3.0
Digital Zoom	10x
Minimum Illumination	0.5Lux (F1.8, AGC ON)
DNR	2D & 3D DNR
White Balance	Auto / Manual/ One Push/ 3000K/ 4000K/5000K/6500K
Focus	Auto/Manual
Aperture	Auto/Manual
Electronic Shutter	Auto/Manual
BLC	ON/OFF
WDR	OFF/ Dynamic level adjustment
Video Adjustment	brightness, color, saturation, contrast, sharpness, B/W

	mode, gamma curve
SNR	>55dB
<b>Input/Output interface</b>	
Video Interface	USB3.0,LAN interface
Image Code Stream	Dual streams output
Video Compression Format	H.264, H.264+
Control Signal Interface	RS-232 (Ring through RS232 output), RS485
Control Protocol	VISCA/PELCO-D/PELCO-P; Baud Rate: 115200/9600/4800/2400bps
Audio Input Interface	Dual track 3.5mm linear input;
Audio Compression Format	AAC/MP3/PCM audio compression
HD IP Interface	100M IP port (10/100BASE-TX); 5G WiFi (optional), Support VISCA protocol control through IP port.
Network Protocol	RTSP, RTMP, ONVIF
Power Interface	HEC3800 outlet (DC12V)
<b>PTZ Parameter</b>	
Pan Rotation	±170°
Tilt Rotation	-30° ~ +90°
Pan Control Speed	0.1 ~ 60 degree /sec
Tilt Control Speed	0.1~ 30°/sec
Preset Speed	Pan: 60°/sec, Tilt: 30°/sec
Preset Number	255 presets ( 10 presets by remote controller)
<b>Other parameter</b>	
Supply Adapter	AC110V-AC220V to DC12V/1.5A
Input Voltage	DC12V±10%
Input Current	1A (max)
Consumption	12W (max)
Store Temperature	-10℃ to +60℃
Store Humidity	20% --95%
Working Temperature	-10℃ to +50℃
Working Humidity	20%--80%
Product Dimension	150mmX150mmX167.5mm
Net weight	1.4kg
Remote Operation (IP Port)	remote upgrade, remote reboot and remote reset
Accessory	power supply,RS232 control cable,remoter, user manual, warranty card
Optional Accessory	Installation Bracket
Packed Dimension	27x25x24CM
Gross Weight	4KG

## Product Size:



## More product photos:





192.168.5.163

0765858N16R0004